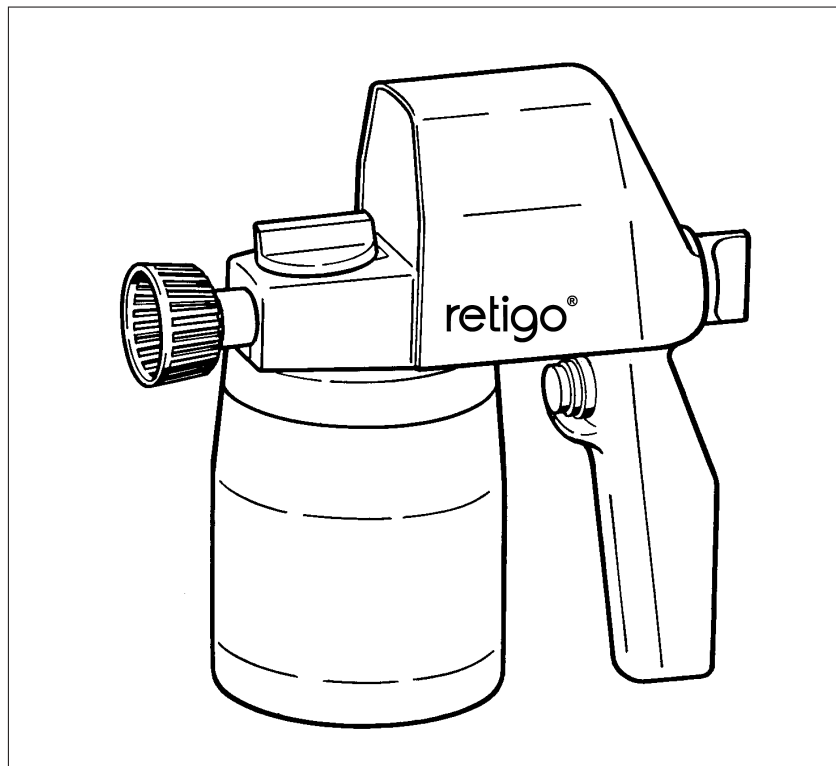


retigo®



Operation manual

Oil Spray Gun

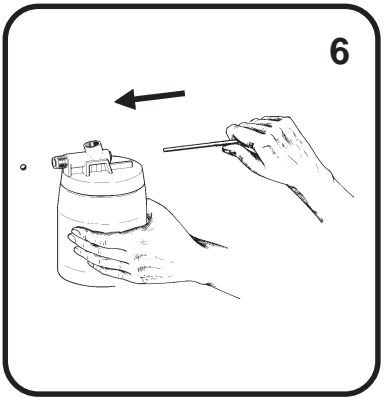
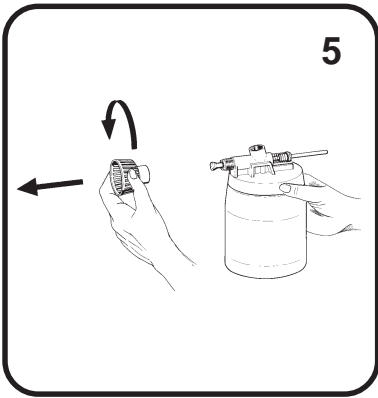
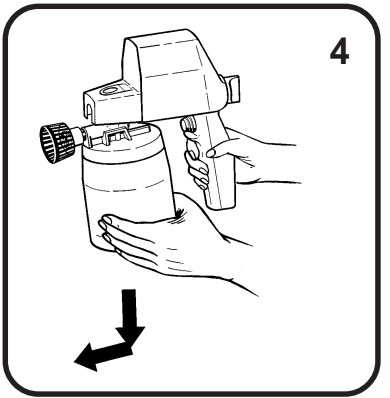
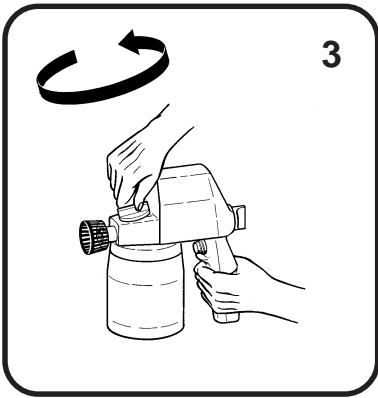
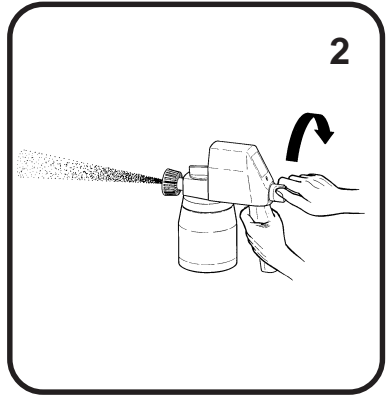
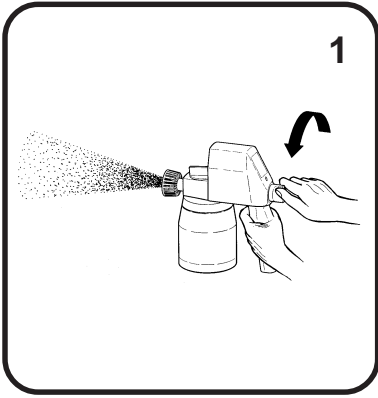
Gun 25

OA20-0025

RETIGO s.r.o.

Lá. 2310, PS 43

CZ 756 64 Rožnov pod Radhoštěm





For your safety



This machine can only be operated safely when the operating and the safety instructions have been completely read and strictly adhered to. It is recommended to receive practical instruction before using the machine for the first time.



Do not use the tool if damp or if the surroundings are damp.



Always check the tool, power cord and plug before use. In the event of damage, repair work should only be carried out by specialist.



Danger of Explosion!

There must be no naked flames in the working area. The device must not be used in locations where explosive gases may occur.



Do not smoke!

Do not spray inflammable or explosive liquids (e.g. petrol or spirit).



Never direct the spray jet towards people or animals. The spray material comes out of the nozzle at high pressure. Danger of injury and infection.



The noise level of the appliance can exceed 85 dB(A), therefore wear ear protection



Never spray materials of unknown danger!

Only connect the power plug when the tool is OFF. Disconnect the power plug after use. Always disconnect the power plug before performing any work on the tool. Do not carry the tool by the power cord.

Always keep the extension cable well away from the workplace.

Keep the tool and accessories out of the reach of children.

Only use original accessories.

Technical data	
Nominal output	60 W
Delivery rate (water)	260 g/min
Viscosity rate	80 DIN-sec
Dynamic pressure	0 - 160 bar
Vibration level	2,5 m/s ²
Container capacity	approx. 0,7 l
Weight approx.	approx. 1,1 kg
Protection rating	□ / II

Before start-up

Observe the supply voltage! The voltage specified on the nameplate must conform to the supply voltage



Instructions for use

When purchasing spray material, please ensure that they are not harmful to the environment; for example, the label with the blue environment symbol. Paint dealers will be able to give you useful tips on this.



Spray material

Note: for the perfect functioning of the spray gun clean spray material is of the importance. In case of doubts regarding any impurities, a fine-meshed filtering of the spray material is recommended.

Products containing granules or bodies must not be sprayed. These act abrasively and shorten the service life of the pump and valve.

This invalidates the warranty for these parts



Spraying

Danger of fire and explosion! ! Explosive gases may occur when spraying inflammable and toxic materials.

Regulating the Spray Jet

Turn the regulating knob completely to the left. (Picture 1)

Switch on the device



Turn the regulating knob to the right until the spraying cone and atomization are correct.

The spray mist should be even, fine and without drops.

Readjust the spray jet before every spraying operation.

Spraying



Always screw down the container firmly. (Picture 2)

A test should be carried out to determine the most effective distance from the spraying surface. Start at a fairly large distance. Ensure that you keep at a constant distance and that your movements are steady. The distance of the nozzle from the workpiece depends on the spray material (approx. 20-35 cm spraying distance depending on the cone of the jet and the thickness of the paint to be applied).

Note: Spraying material tends to drip off vertical surfaces.

Perform an initial spraying from a slightly greater distance and allow the paint to start to dry.

Never spray until the container is empty. The suction pipe must always be immersed in liquid. Otherwise the paint aerosol will stop and thicker drops will be sprayed. Always hold the spray gun upright.

Care and Maintenance



Always disconnect the plug from the power socket before carrying out any work on the appliance.

Always keep the device clean.

Never immerse the device in cleaning agent!

Clean the appliance periodically by spraying a mild alkaline agent which is safe for food through it. Rinse it thoroughly thereafter with fresh water. See instructions of manufacturer.

When spray gun is not used for a longer time, spray through resin-free oil for conservation.

If the appliance should happen to fail despite the care taken in manufacture and testing, repair should be carried out by an authorised customer service.

or all correspondence and spare parts orders, always include the order number.

Dismantling the Pump

1. Remove screw 1. (Picture 3)
2. Separate the motor housing 6 from the pump section. (Picture 4)
3. Unscrew nozzle 3 Take suction pressure valve 4 and pump plunger 8 with spring 7 out of the pump section. **Do not use force.** (Picture 5)
4. Make the tightly fitting valve ball passable through piston opening with the aid of a copper or brass pin. (Picture 6)
5. Place all parts in the appropriate solvent and clean them.
Never use hard objects for cleaning! Piston 8 (see spare parts) should move easily in the pump housing.

Assembling the Pump

Assemble the parts in the reverse order.

After cleaning, spray through the device briefly with resin-free oil as an anticorrosion measure. Collect cleaning agents in an appropriate receptacle and dispose of in an appropriate manner.

Garantie

The appliance is guaranteed for six months subject to the enclosed terms and on condition that it is **only used for processing products approved for the food industry.**

The appliance must not be operated continuously for longer than 10 minutes at a time.

The guarantee is based on 50 hours of use within a 6-month period.

Only **original** spare parts may be used in the event of repairs.

The appliances must be serviced and cleaned as described in the operating instructions.

The guarantee becomes valid with the delivery of the product to the end user.

The duration of the guarantee shall be determined by the end user's date of purchase. The guarantee excludes any damage due to natural wear, overloading or incorrect handling.

Repairs not covered by the guarantee shall be performed by service centres subject to the applicable price and delivery terms of the country in question.

Product liability

No liability is accepted for damage caused directly or indirectly by the use and spraying of products. The user assumes full responsibility for the use of the product in accordance with the laws of food hygiene and other legal regulations.

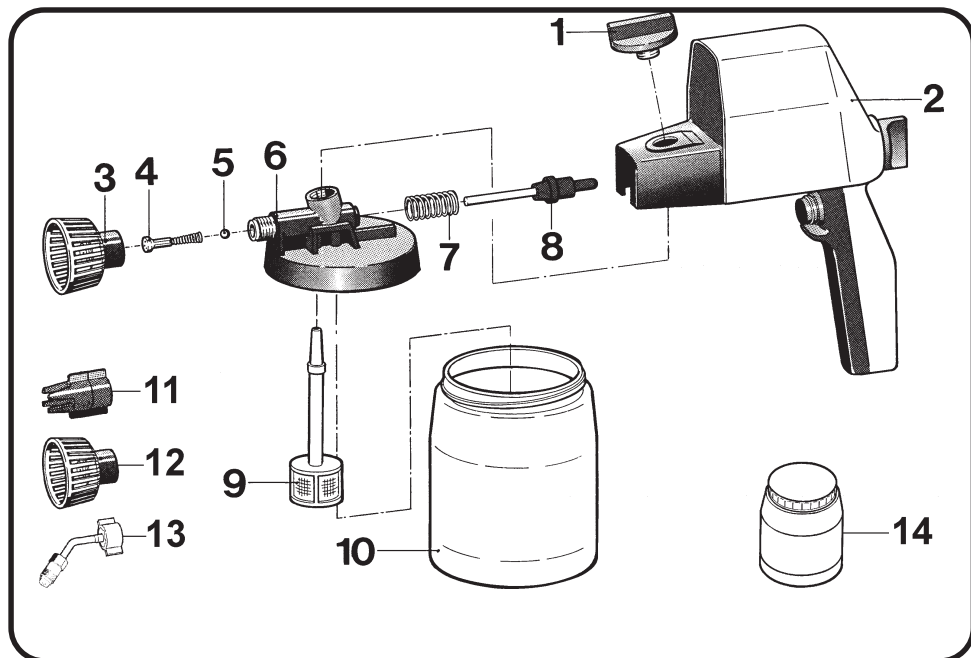
EN Declaration of Conformity CE

We declare at our sole responsibility that this product conforms to the following standards or normative documents: "EN 50144-2-7:96, EN 55014-1:93+A1:97, EN 61000-3-2:95+A13:97+A1:98+A2:98, EN 61000-3-3:95

retigo s.r.o. 
Láň 2310, P.S. 43
756 64 Rožnov p. R.



Pavel Vokatý



Ersatzteile / Spare parts / Pièces de rechange / Dei pezzi di ricambio

Pos. Part No.

1	09-004-004	Flügelschraube	Wing set screw	Vis allée	Vite
3	09-490-006	Rundstrahldüse	Round jet nozzle	Buse à jet round	Ugello
4	09-005-000	Drall cplt.	Swirl piece	Tête atomiseur	Votrice
5	09-004-014	Ventilkugel	Valve ball	Bille de soupape	Palla
6	11-504-023	Pumpengehäuse	Pump housing	Boîter de pompe	Coperchio d' aspirazione
7	11-004-013	Kolbenfeder	Piston spring	Ressort du piston	Molla pistone
8	11-004-023	Kolben cplt.	Piston cplt.	Piston	Pisone
9	06-001-027	Saugrohr	Suction tube	Tube d' aspiration	Tubo di aspirazione
10	09-501-016	Behälter	Paint Container	Récipient	Contentitore

Zubehör / Accessories / Accessoires / Accessori

11	09-490-007	Flachstrahldüse	Fan Nozzle	Buse à jet plat	Ugello a getto piano
12	09-490-004	Düse R4	Round jet nozzle R4	Buse R4	Ugello R4
12	09-490-006	Düse R6	Round jet nozzle R6	Buse R6	Ugello R6
12	09-490-008	Düse R8	Round jet nozzle R8	Buse R8	Ugello R8
13	09-008-015	Düsenverlängerung	Bent nozzle extension	Ralloge de base	Prolunge per ugello
14	09-490-012	Behälter mit Deckel	Container with lid	Récipient avec couvercle	Contentitore con copericchio

NOTES:

RETIGO s.r.o.

Lá. 2310, PS 43

CZ 756 64 Rožnov pod Radhoštem

Tel.: +420 571 665 553

Fax: +420 571 665 554

e-mail: sales@retigo.com; service@retigo.com

www.retigo.com

HOT LINE

Sales: +420 603 214 915

Service: +420 733 641 315